

HD17V5 Mini-Excavator



ACCESS

While the 17V5 is one of the most compact machines on the market, the wide-opening access panel makes maintenance a breeze. Additionally, a front and center battery has never been easier to test or pull.



EXPAND

Hydraulic-expandable tracks and folding push blade have an overall width between 39" - 51", offering the best of accessibility and operating stability.



OPERATE

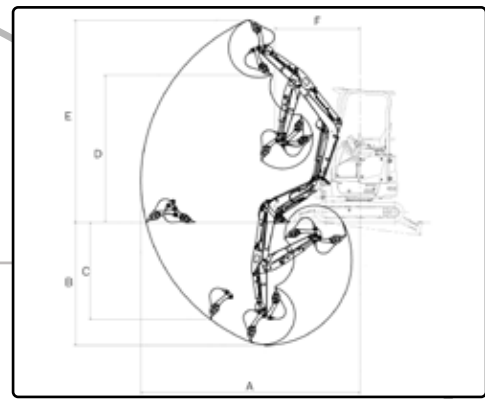
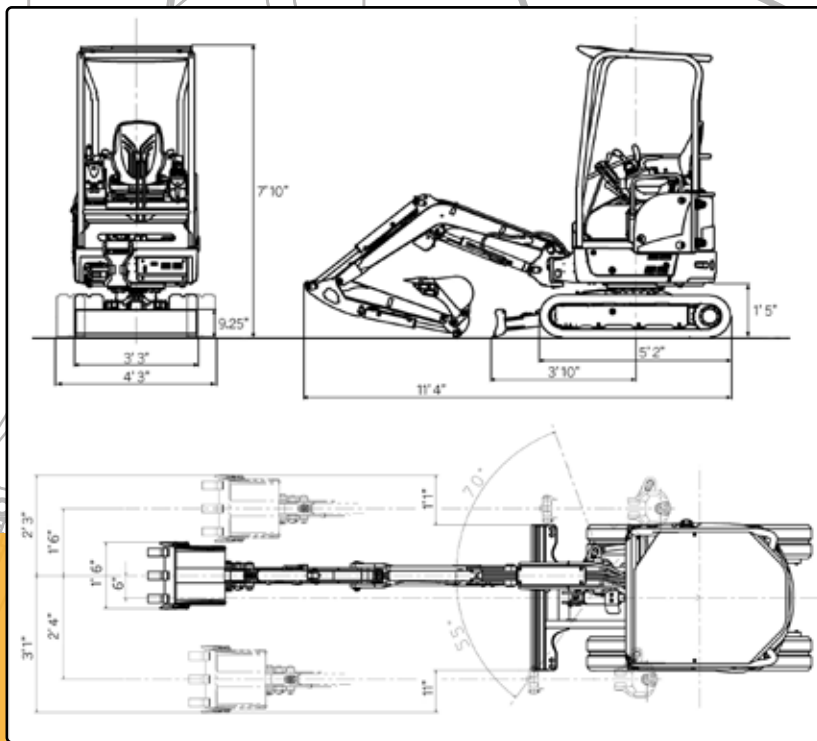
The 17V5 comes standard equipped with an A-F pattern change valve, located underneath the operator floor mat. Tool-free access to quickly change control pattern formats.



CANOPY

The 17V5's redesigned ROPS/TOPS four-post canopy has a wider access to the operator's seat as well as extended legroom once inside.

KATO



HD17V5	Working Ranges
A: Max Digging Radius	12' 6"
B: Max Digging Depth	7' 2"
C: Max Vertical Dig Depth	5' 8"
D: Max Dumping Height	8' 5"
E: Max Digging Height	11' 10"
F: Min. Front-turn Radius at Right Boom Swing	4' 10" 4' 5"

HD17V5

KATO
COMPACT EXCAVATOR SALES, LLC

www.KATOCES.com

400 Production Court
Elizabethtown, KY 42701

(800) 538-1447 | Fax: (270) 737-0419

Performance	
Bucket Capacity	1.6 ft ³
Bucket Width	12"
Operating Weight	4,261 lbs.
Transport Weight	3,924 lbs.
Swing Speed	8.5 rpm
Travel Speed (Low/ High)	1.3 mph / 2.5 mph
Gradeability	30°
Ground Pressure	4.4 psi
Bucket Digging Force	4,842 lbs.
Engine	
Model	YANMAR 3TNV74F
Output Rating	14.1 hp / 2,300rpm
Fuel Tank Capacity	5.8 gallons
Boom Swing System	
Type	Offset Boom w/ Hydraulic Cyl.
Swing Angle (L / R)	55° / 70°
Hydraulic System	
Total Hydraulic System Flow	12 gpm
Max Auxiliary Hydraulic Flow	7 gpm
Dozer Blade	
Size	3' 3" x 9.25"
Lift Above / Drop Below Ground	11.8" / 9"