

HD25V5 Mini-Excavator



ACCESS KATO's V5 line features wide-opening access panels & large compartments for working around the engine, hydraulics, etc.



STABILITY V5 excavators are built on some of the industry's strongest and most stable track frames, maximizing job-site safety and minimizing equipment repairs.

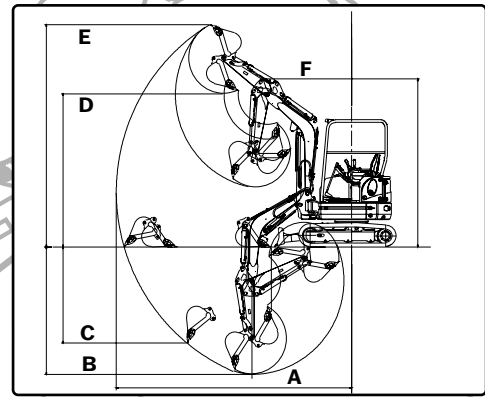
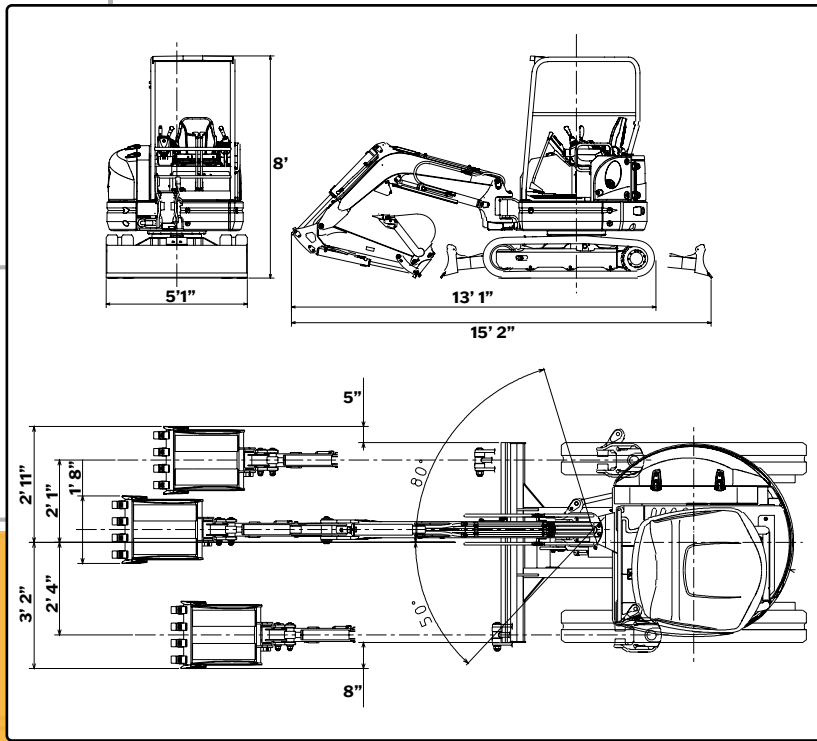


CONTROL KATO's V5 line features highly responsive pilot controls and easy to read instrument panels, all within the most comfortable cabs on the market.



TAILSWING The KATO 25V5 Excavator maneuvers in the tightest spaces with a true zero-tailswing design.

KATO



HD25V5	Working Ranges
A: Max Digging Radius	15'
B: Max Digging Depth	8'
C: Max Vertical Dig Depth	6'
D: Max Dumping Height	9' 6"
E: Max Digging Height	13' 10"
F: Min. Front-turn Radius at Right Boom Swing	6' 8"
	5' 9"

HD25V5



www.KATOCES.com

400 Production Court
Elizabethtown, KY 42701

(800) 538-1447 | Fax: (270) 737-0419

Performance	
Bucket Capacity	2.8 ft ³
Bucket Width	18"
Operating Weight	5,919 lbs.
Transport Weight	5,512 lbs.
Swing Speed	9 rpm
Travel Speed (Low/ High)	1.5 mph / 2.7 mph
Gradeability	30°
Ground Pressure	4.5 psi
Bucket Digging Force	4,721 lbs.
Engine	
Model	Kubota D1305-E4B
Output Rating	23.6 hp / 2,400rpm
Fuel Tank Capacity	11 gallons
Boom Swing System	
Type	Offset Boom w/ Hydraulic Cyl.
Swing Angle (L / R)	50° / 80°
Hydraulic System	
Total Hydraulic System Flow	20 gpm
Max Auxiliary Hydraulic Flow	11 gpm
Dozer Blade	
Size	5' 1" x 1' 3"
Lift Above / Drop Below Ground	1' 2" / 1' 5"