

# NFOUR HD35



## High Performance EVOLUTION



• Tier 4 EPA Compliant  
23.5HP Engine



• Over 7,600 lbs of  
Digging Force



• 16 GPM Aux Hydraulic Flow

## Large Covers for Easy Access



• Easy Maintenance

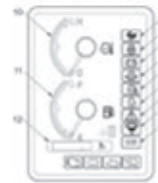
**KATO**  
COMPACT EXCAVATOR SALES, LLC

## Comfortable EVOLUTION

### New Easily Visible Monitoring System



• Easily visible monitor



- 1 Travel speed indicator
- 2 Glow indicator
- 3 Battery charge warning indicator
- 4 Engine oil pressure warning indicator
- 5 Water temperature warning indicator
- 6 Auto idle indicator
- 7 Control lock warning indicator
- 8 Water-separator warning indicator
- 9 ECO mode indicator
- 10 Water temperature gauge
- 11 Fuel gauge
- 12 Hour meter



• Legroom enlarged by 20%  
• Cabin room enlarged by 25%  
\*In comparison with our former model



• Centralized switches  
(Right console box)

- A Engine starter switch
- B Throttle dial
- C Auto Idle selector switch
- D Light switch
- E Work mode selector switch



• Spare power port  
(12V 10A)

## Safety EVOLUTION



**ROPS/TOPS Compliance  
Operator Cab and Canopy**

### Error Prevention Lever Locking Console

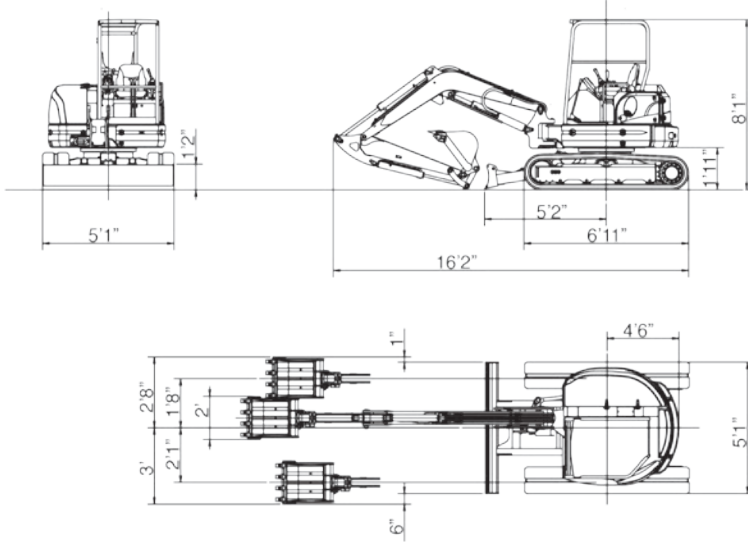
- All-lever lock
- Neutral engine-start
- Auto Parking brake in swing  
& traction motors

\*All operations are blocked when the lever is raised.

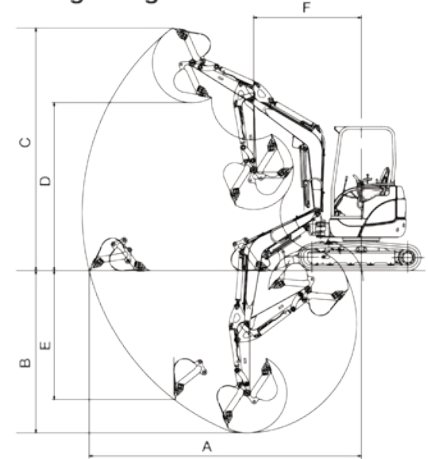




■ Dimensions



■ Working Range

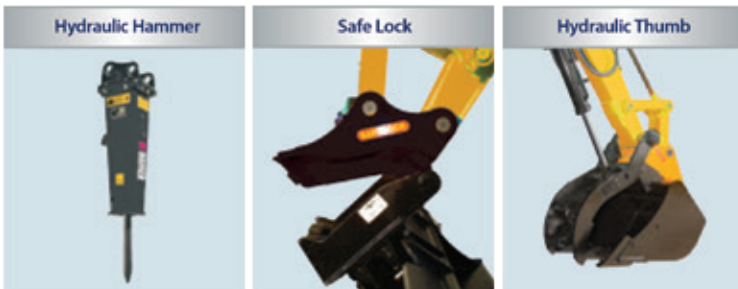


	4-Post/Cabin
A Max. digging radius	18'8"
B Max. digging depth	10'4"
C Max. digging height	16'2"
D Max. dumping height	11'
E Max. vertical digging depth	8'
F Min. front turning radius	6'4"
At right boom swing	5'

■ 35N4 Specifications

Performance		Boom swing system	
Bucket capacity	3.9 cu. ft.	Type	Boom offset with hydraulic cylinder
Bucket width	24"	Swing angle (L/R)	50°/90°
Operating weight: 4-post( Cabin)	7,979 lbs. (7,759 lbs.)	<b>Hydraulic system</b>	
Transportation weight: 4-post( Cabin)	7,439 lbs. (7,219 lbs.)	Pressure	2,987 psi
Swing speed	10.0 rpm	Pump • type/hydraulic flow	2 Piston/2 Gear • 10.6 gpm x 2 + 6.5 gpm
Travel speed (low/high)	1.7/3 mph	<b>Dozer blade</b>	
Gradeability	30°	Size	14"
Ground pressure	4.1 psi	Lift above ground / Drop below ground	15" / 18"
Max bucket digging force	7,662 lbs.	<b>Max auxiliary flow</b>	
<b>Engine</b>		1st line	16.7 gpm
Model	YANMAR 3TNV88		
Rated output	22.8 hp/2300 rpm		
Fuel tank capacity	11.1 gallons		

Optional Attachments:



Features:



Photographs may differ in some cases from actual objects. Specifications are subject to change without notice due to technical improvements or modifications.



**COMPACT EXCAVATOR SALES, LLC**  
 400 Production Court • Elizabethtown, KY 42701  
 Phone: 800.583.1447 • Fax: 270.737.0419  
 WWW.KATOCES.COM

