

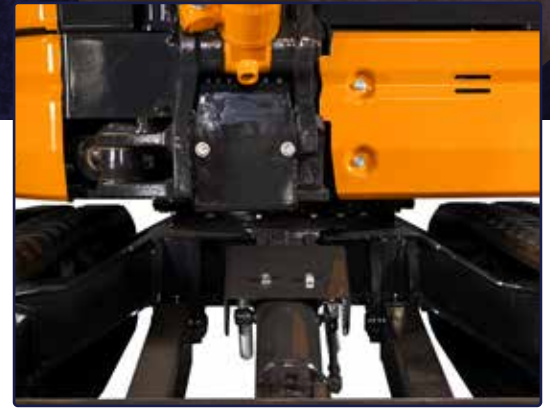
# HD50V5 Mini-Excavator



# KATO



**ACCESS** KATO's V5 line features wide-opening access panels, large compartments for working around the engine, hydraulics, etc.



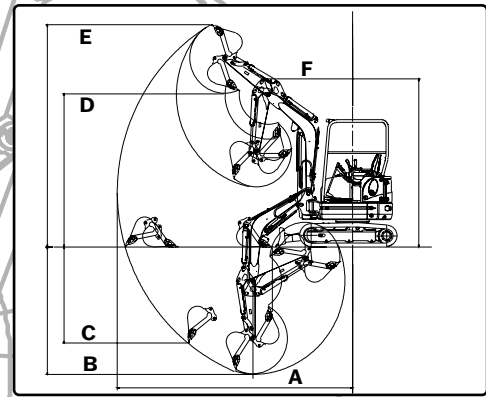
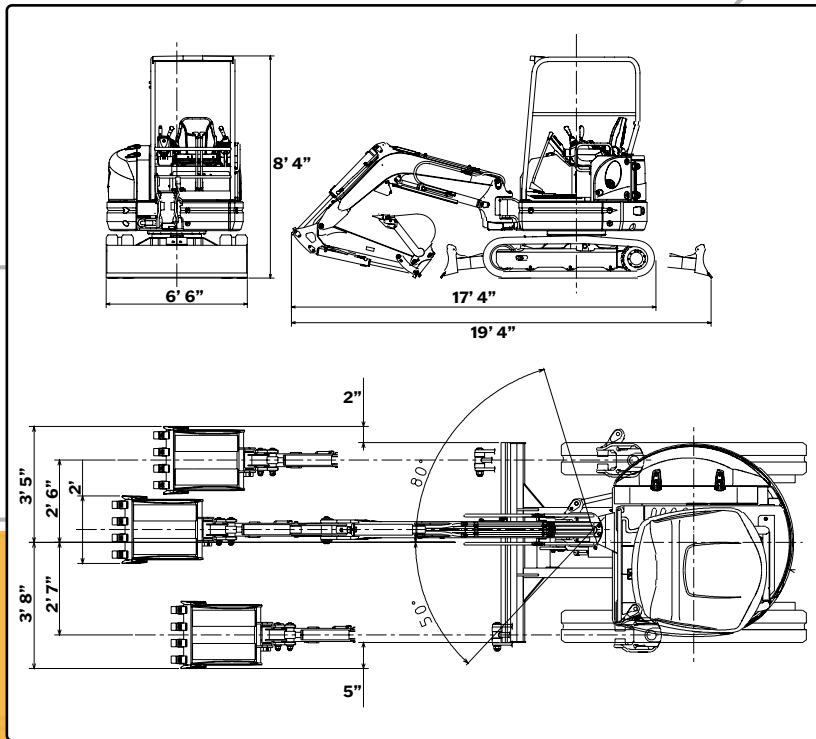
**STABILITY** V5 excavators are built on some of the industry's strongest and most stable track frames, maximizing job-site safety and minimizing equipment repairs.



**CONTROL** KATO's V5 line features highly responsive pilot controls and easy to read instrument panels, all within the most comfortable cabs on the market.



**POWER** The 50V5 is powered by a 43.5hp Kubota engine, delivering 9,100 lbs. of breakout force at the bucket.



<b>HD50V5</b>	<b>Working Ranges</b>
A: Max Digging Radius	20' 4"
B: Max Digging Depth	12' 7"
C: Max Vertical Dig Depth	9' 7"
D: Max Dumping Height	13'
E: Max Digging Height	18' 5"
F: Min. Front-turn Radius at Right Boom Swing	8' 1"

# HD50V5

**KATO**  
 COMPACT EXCAVATOR SALES, LLC

[www.KATOCES.com](http://www.KATOCES.com)

400 Production Court  
 Elizabethtown, KY 42701

(800) 538-1447 | Fax: (270) 737-0419

<b>Performance</b>	
Bucket Capacity	5 ft <sup>3</sup>
Bucket Width	24"
Operating Weight	10,830 lbs.
Transport Weight	10,251 lbs.
Swing Speed	9.3 rpm
Travel Speed (Low/ High)	1.8 / 2.9 mph
Gradeability	30°
Ground Pressure	3.9 psi
Bucket Digging Force	9,100 lbs.
<b>Engine</b>	
Model	Kubota V2403-CR-E5B
Output Rating	43.5 hp @ 2400 rpm
Fuel Tank Capacity	17.4 gal
<b>Boom Swing System</b>	
Type	Offset Boom w/ Hydraulic Cyl.
Swing Angle (L / R)	50° / 80°
<b>Hydraulic System</b>	
Total Hydraulic System Flow	43 gpm
Max Auxiliary Hydraulic Flow	16 gpm
<b>Dozer Blade</b>	
Size	1' 3" x 6' 6"
Lift Above / Drop Below Ground	1' 6" / 1' 5"